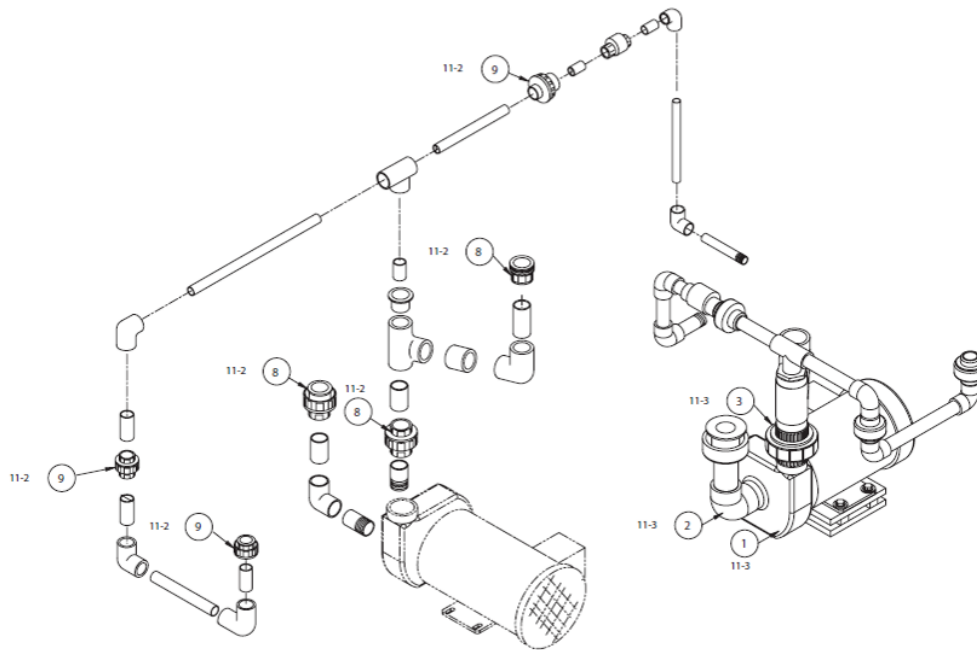


**Table 11-1: Spare parts kit inventory (155-10241-00)**

Item	Description	Qty	Part Number
1.	VALVE, AIR OPERATED, 0-100 PSI, 3/4" FNPT	1	165-13252-00
2.	TEMPERATURE SWITCH ASSEMBLY	1	2725-00
3.	LIQUID LEVEL SWITCH - 4 LEVEL (SUMP)	1	483-14364-00
4.	LIQUID LEVEL SWITCH - 1 LEVEL (SUMP OVERFLOW)	1	6459-00
5.	SOLENOID VALVE, 24VDC, 1/4" NPT, 1/16 ORIFICE	1	4551-01
9.	SPRAY HUB ASSEMBLY, DEFOAMING	1	5297-01
10.	SWITCH ASSEMBLY, PRESSURE	1	6570-00
11.	SWITCH, FLOW, LIQUID, 1/4"NPT, 5GPM, 6FT, NPN CONN	1	0729-05
12.	KIT, PM PARTS, ULTRA 6000	1	160-10239-00
13.	RELAY, PCB, DPDT, 24VDC, 5A	1	4164-00
14.	LED, INDICATOR W/DIODE, 12-24VDC	1	4165-00
15.	SWITCH, PRESSURE, NITROGEN, AIRTROL	1	2334-00
16.	VALVE, N.C. AIR OPR H2O SHUT OFF	1	215-08-004

**Table 11-2: PM parts kit (160-10239-00)**

Item	Description	Qty	Part Number
2.	TAPE, PIPE JOINT, TEFLON	1	0080-01
3.	GASKET, NEOPRENE, 1.0"ID, 2.75"OD, 1/16" THICK	1	5409-01
4.	ORIFICE, PVC, 5/8"ID, 2.75"OD, 1/16"THICK	1	5408-01
5.	ORIFICE, PP, HI PRESSURE NEG PIPE.,130 DIA	4	1566-01
6.	CARTRIDGE ASSEMBLY, POLISHING SCRUBBER	1	6733-00
7.	NOZZLE, BETEFOG, 3/8"MPT, 6GPM, 40PSI, SPEARS	8	5421-04
10.	THERMOCOUPLE	1	215-12830-00
11.	CONNECTOR, BORED THRU, COMP/MNPT, SST, 1/4T X 1/4	1	6876-00
12.	O-RING VITON 2 1/4" OD X 2"ID	2	464-11143-00
13.	O-RING VITON 3/32 W, 1 1/4" OD X 1 1/16"ID	2	464-11143-01



**Table 11-3: Pump assembly (165-12951-00)**

Item	Description	Qty	Part Number
1	PUMP	1	468-12794-00
2	ASSY, SUCTION SPIGOT, PUMP REPLACEMENT	1	215-12953-00
3	ASSY, DISCH SPIGOT, PUMP REPLACEMENT	1	215-12952-00

Figure 11-2: Control box (215-10219-00)

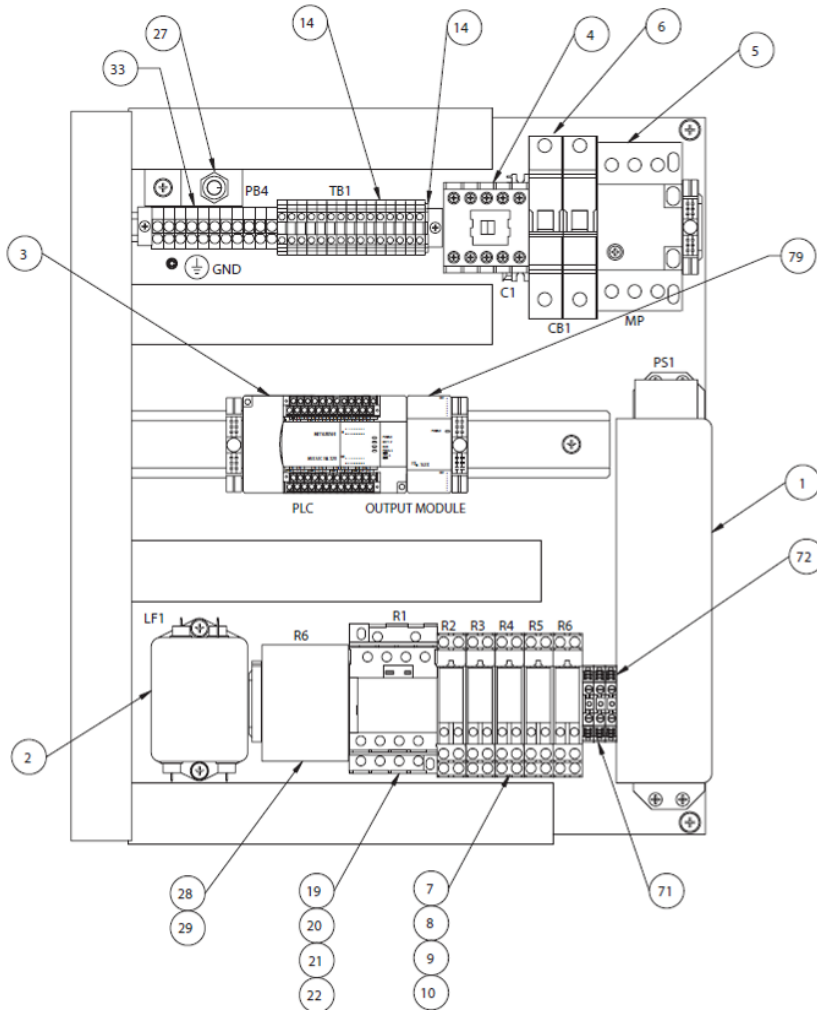


Table 11-4: Control box (215-10219-00)

Item	Description	Qty	Part Number
1	POWER SUPPLY, 24V, 100V, CE	1	528-13663-00
2	FILTER,LINE,6A,120/250VAC	1	3872-00
3	PLC,24 I/O,24 VDC	1	6308-02
4	CONTACTOR, MTR,SZ A	1	6470-03
5	MOTOR PROTECTOR	1	0127-09
6A	CIRCUIT BREAKER,MINI,1P,4A (6 ON 215-10219-00)	1	6468-04
6B	CIRCUIT BREAKER,MINI,1P,4A (6 ON 215-10219-01)	1	7093-06
6C	CIRCUIT BREAKER,MINI,1P,4A (6 ON 215-10219-02)	1	0877-06
7	RELAY, PCB (ITEM 11 IN TABLE 11-1)	5	4164-00
8	SOCKET,RELAY,PCB	5	4163-00
9	RETAINING CLIP,METAL,SKT 95.83.1/95.85.1	5	6465-01
10	LED INDICATOR WITH DIODE (ITEM 12 IN TABLE 11-1)	5	4165-00
14	TERMINAL BLOCK,MBK2,5/E	17	4166-00
19	RELAY, 4 PDT, 12A, 24VDC	1	6467-00
20	SOCKET,DIN RAIL SNAP-ON,RELAY 56.34	1	6466-00
21	RETAINING CLIP,METAL,SOCKET 96.74	1	6465-00
22	INDICATOR,LED/DIODE,RELAY SOC,PLUG-IN	1	0886-01
27	SWITCH, PUSHBTN, MOM, N/O, W/SCREW TERM	1	6918-00
28	SOCKET,RELAY,8P,DIN RAIL,600V,FINGERSAFE	1	7078-00
29	RELAY, REVERSE PHASE	1	7077-00
33	TERMINAL BLOCK,GROUND,15MM,WOERTZ 2721	11	4404-01
71	TERMINAL BLOCK,10-22GA,600V,30A,35MM DIN	2	6917-00
72	GROUND BLOCK,DIN RAIL MOUNT,10AWG	1	3862-00
79	EXTENTION, BLOCK, 16 POS	1	514-10402-00

Figure 11-3: Make-up water assembly (215-12508-00)

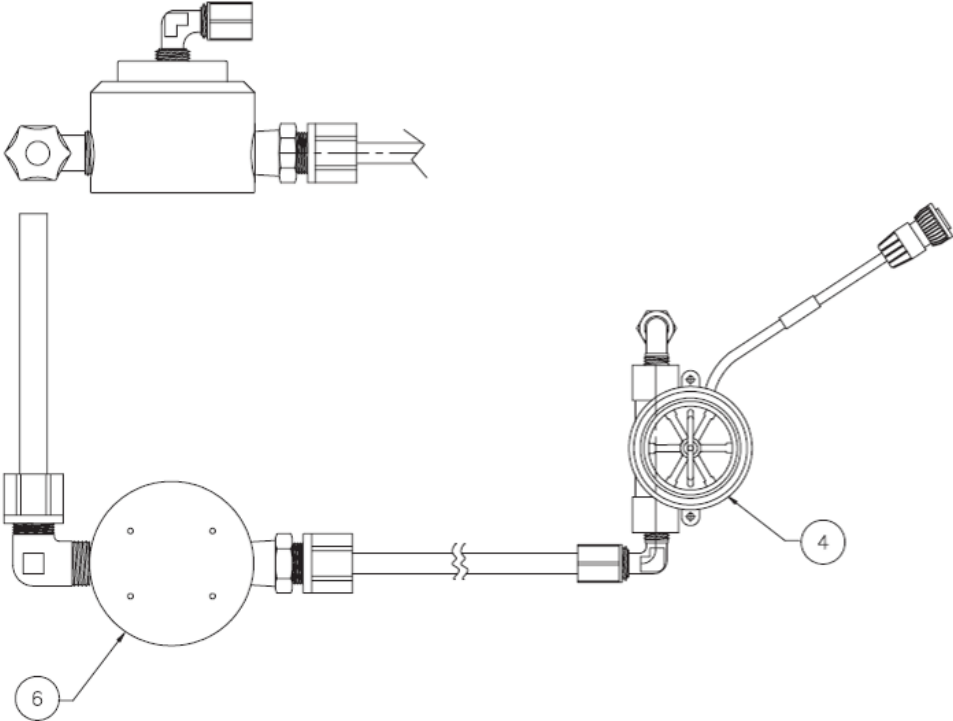
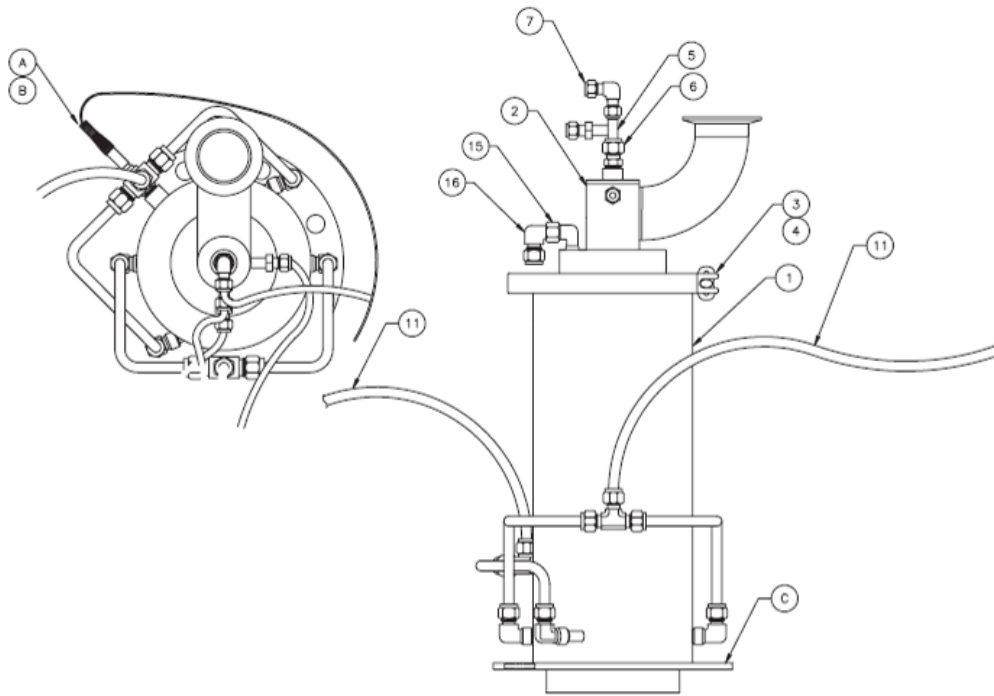


Table 11-5: Make-up water assembly (215-12508-00)

Item	Description	Qty	Part Number
4	MAKE-UP WATER FLOW SWITCH	1	0729-05
6	VALVE, N.C. AIR OP H2O SHUT OFF (ITEM 6 IN TABLE 11-1)	1	215-08-004



**Table 11-6: Type 14 entry assembly (7161)**

Item	Description	Qty	Part Number
1	ENTRY CHAMBER,LWR,W/O HT EXCHANGE,ULTRA SI	1	7160-00
2	ENTRY HEAD,TYPE 14,4.0 SP,XSI	1	321-12423-00
3	GASKET,SANITARY,6",GC40,VITON	1	464-10313-00
4	CLAMP,SANITARY,6",HEAVY DUTY CAST	1	472-10314-00
5	TUBE,WELDMENT,ENTRY LEAD,TYPE-14	1	210-12601-00
6	CONNECTOR, MALE 3/8" X 3/8" NPT BORE THRU, INCONEL	1	595-06-002
7	ELBOW,UNION/COMP,SS,1/4T	1	1733-04
11	TUBING,PE,NAT,3/8OD,1/4ID,1/16WALL	4	0071-04
15	ORIFICE, 0.052" 1/4 NPT	1	535-04-002
16	ELBOW,FEM/T,WHTPP,FAST&TITE,1/4FNPTX3/8T	1	6501-03
A	ASSY, THERMOCOUPLE, 36"	1	215-12830-00
B	CONN,BORED THRU,COMP/MNPT,SST,1/4T X 1/4	1	6876-00
C	GASKET, FLANGE	1	6702-00

Figure 11-5: Ultra 6000 tank parts

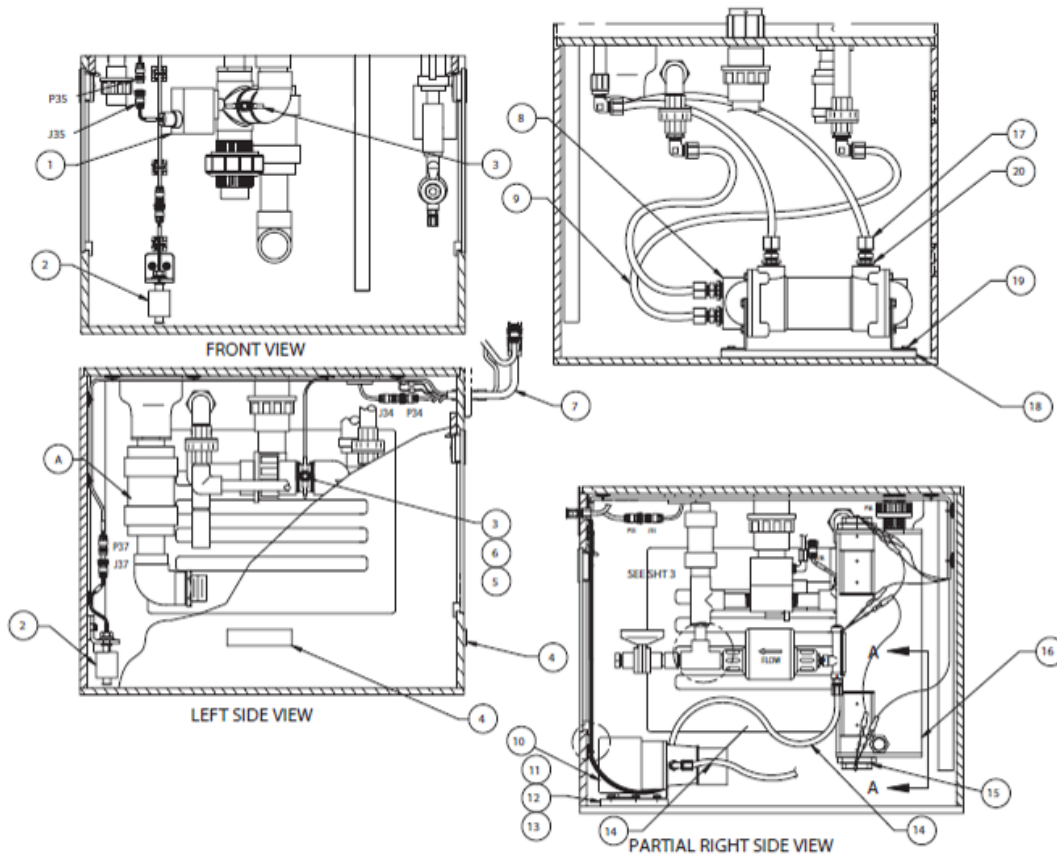
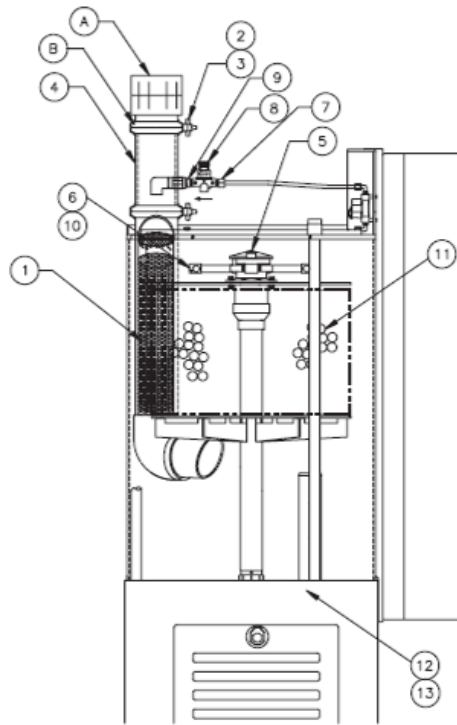


Table 11-7: Ultra 6000 tank parts

Item	Description	Qty	Part Number
1	SWITCH ASSY,PRESSURE	1	6570-00
2	SWITCH ASSY,LIQUID LEVEL,PUMP CAVITY	1	6566-00
3	THERMOSTAT,UNIV,SPST,120V 95/65	1	0692-03
4	LABEL,WARNING,PUMP DRAIN	3	4152-00
5	SEALANT,SIL,1PT RTV,BLK,3.0FLOZ TUBE	0.01	3498-01
6	CABLE TIE,NYL,18LB,3.9"LG (PLT1M)	11	423-0006-00
7	HARNESS ASSY,PUMP CHAMBER	1	6595-00
8	EXCHANGER, HEAT WATER COOLED	1	752-16-002
9	TUBING,LDPE,.062W,1/2" OD,NAT	10 FT	6492-00
10	ASSY, 3XSI SECONDARY SUMP PUMP	1	215-13531-00
11	PLATE,MOUNTING,MOTOR,VECTOR ULTRA XSI	1	306-11665-00
12	BOLT,HXHD,SS,1/4-20 X .500	6	0190-01
13	WASHER,FLAT,AN960,SS,1/4ID,1/2OD	6	0864-06
14	TUBING,POLYPRO,NAT,3/8OD X 19/64ID	4	5635-00
15	LIQUID SWITCH ASSY, PLUG, TANK ( 3 INLETS ONLY)	2	215-13517-00
16	SUMP TANK ASSY, VECTOR ULTRA 6000 ( 3 INLETS ONLY)	1	210-11663-00
17	CONN,MALE/COMP,WHTPP,1/2MNPT X 1/2T	4	0062-13
18	BASEPLATE, HEAT EXCHANGER	1	285-10924-00
19	BOLT,HXHD,SS,1/4-20 X .500	4	0190-01
20	RED BUSH,PVC,SCH80,1 X 1/2 NPT	4	0023-09
A	VALVE, BALL, TRUE U, 1-1/2 SOC/THD	1	0072-07



**Table 11-8: Ultra 6000 scrubber parts**

Item	Description	Qty	Part Number
1	CARTRIDGE ASSY,POLISHING SCRUBBER	1	6733-00
2	CLAMP,V-BAND,QUICK REL,SS	2	0556-01
3	KNOB,V-CLAMP	2	0457-00
4	SCRUBBER ASSY,POLISHING	1	6724-00
5	SHAFT,SPRAY HUB,SERIES-2,1-1/2 DIA	1	3421-00
6	NOZZLE,PVC,3/8MPT,145DEG FAN PATT9.	8	0758-04
7	CONN,MALE/COMP,WHTPP,1/4MNPT X 3/8T	1	0062-06
8	VALVE, NEEDLE, PVC, 1/4" FNPT	1	492-13529-00
9	REDUCER NIPPLES,PE,1/2"X1/4" MIPT	1	5480-05
10	SPRAY HUB ASSY,DEFOAMING,ES-50	1	5297-01
11	PACKING,SPHERICAL,PP,1.0 DIA	1	0044-01
12	LIQUID LEVEL SWITCH - 1 LEVEL (SUMP OVERFLOW)	1	6459-00
13	LIQUID LEVEL SWITCH - 4 LEVEL (SUMP)	1	483-14364-00
A1	SLIP PVC 4"	1	6728-00
A2	FNPT PVC 4"	1	210-12046-00
B	O-RING	2	0807-42

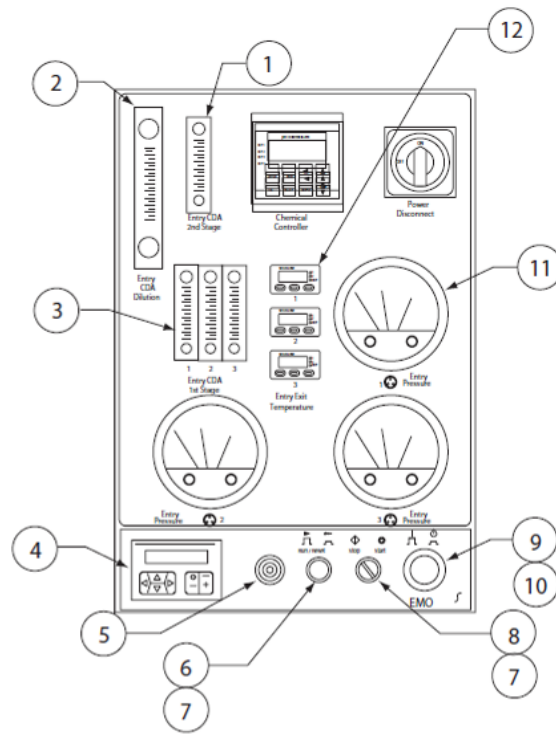


Table 11-9: Ultra 6000 door parts

Item	Description	Qty	Part Number
1	FLOWMETER,AIR,6-50 LPM,1/8NPT,SSV,2"	1	2301-00
2	FLOWMETER,AIR,VALVED,PNL MT,400LPM,3"	1	6528-12
3	FLOWMETER,AIR,0.6-5 LPM,1/8NPT,SSV,2"	1	6755-00
4	DISPLAY,ALARM,MAC 12 (MMI)	1	6654-01
5	HORN,SONALERT	1	2367-00
6	SWITCH,PB,BLK,NON ILLUM,MON,25MM FLUSH B	1	6030-00
7	CONTACT BLOCK,E22 SERIES,NO	2	0897-02
8	SWITCH,TWO POSITION,NON ILLUMINATED	1	4312-01
9	SWITCH,PB LATCH,40MM MUSH,INC,RED,BLKBEZ	1	0756-02
10	SHROUD,MUSHROOM PB,HALF	1	3299-01
11	GAUGE,PHOTOHELIC (3005MR/TAMP)	1	200-0009-00
12	CONTROLLER,PROC,WATL935A,24VDC,MECH RELA	1	2982-02

